

**ORIGINAL INSTRUCTIONS**

**CAUTION – READ THESE INSTRUCTIONS BEFORE USING THE MACHINE**

## **User instructions**

---

### **Hydromist Compact**

### **Carpet Soil Extraction Machines**

---





**Contents**

- 1 Product Information ..... 4
  - 1.1 Important Safety Advice ..... 4
  - 1.2 Guidelines for the operator..... 5
  - 1.3 Transporting the machine ..... 5
  - 1.4 Electrical connection ..... 5
  - 1.5 Symbols & Markings ..... 5
- 2 Controls..... 6
- 3 Preparing for use ..... 6
  - 3.1 Securing the handle ..... 6
- 4 Operation ..... 6
  - 4.1 Starting the machine ..... 6
  - 4.2 Using the machine ..... 6
- 5 Using accessory tools..... 6
  - 5.1 Cleaning Carpet..... 6
  - 5.2 Cleaning Stairs ..... 7
  - 5.3 Cleaning Upholstery..... 7
- 6 When Cleaning is Finished ..... 7
  - 6.1 Draining and Cleaning ..... 7
  - 6.2 Storage..... 7
  - 6.3 Maintenance ..... 7
- 7 After Sales Service ..... 8
- 8 Guarantee ..... 8
- 9 Waste Electrical & Electronic Equipment (WEEE) ..... 8
- 10 Technical specification..... 9
- 11 Accessories and Cleaning Chemicals ..... 9
- 12 Fault Diagnosis..... 10
- 13 Parts Lists & Diagrams ..... 11
- 14 Declaration of Conformity..... 14

**IMPORTANT**  
**BEFORE USE READ THESE INSTRUCTIONS AND RETAIN FOR FUTURE REFERENCE**

---

## 1 Product Information

The Hydromist range of carpet soil extraction machines are designed for the efficient cleaning of carpets and upholstery.

We recommend that any user not familiar with carpet cleaning should read these user instructions fully before using the machine. If you have any queries please contact the supplier who you purchased the machine from or Truvox International on the contact details provided at the back.

These machines must only be used for the manufacturer's approved application. **Do not use** the machine where it is suspected that the carpet, floor or upholstery contains health endangering dust or debris such as asbestos or chemical waste. If this is suspected **do not proceed**, contact your supervisor, supplier or Truvox International for advice.

The following instructions contain important information about the machine and safety advice for the operator.

Equipment must be operated, serviced and maintained in accordance with the manufacturer's instructions. **If in doubt contact the supplier of your machine.**

These instructions are valid for the following models:

Hydromist Compact

### 1.1 Important Safety Advice

When using electrical equipment basic safety precautions should be followed including the following.

- Read all instructions carefully before use.
- This appliance is suitable for commercial use, for example in hotels, schools, hospitals, factories, shops, offices, rental businesses and other than normal housekeeping purposes.
- This machine is not intended for use by persons (including children) with reduced physical, sensory or mental capabilities, or lack of experience and knowledge, unless they have been given supervision or instruction concerning use of the machine by a person responsible for their safety.
- Keep children and unauthorised persons away from the machine when in use.
- Before using the appliance, check that the mains power voltage corresponds with the voltage shown on the rating plate.

- All parts are to be positioned as indicated in the instructions before using the machine.
- Do not operate the machine if it malfunctions or is damaged in any way. Contact an authorised service agent for repair or adjustment.
- Do not operate switches or touch the mains plug with wet hands as this may cause electric shock.
- When unplugging pull the plug, not the supply cord.
- Do not pull or carry by cord, use cord as a handle, close a door on cord, or pull around sharp edges or corners.
- Keep hair, loose clothing, fingers and all parts of body away from openings and moving parts.
- Keep cord away from heated surfaces.
- Do not use where hazardous dust is present.
- Do not use in an explosive atmosphere.
- Do not pick up oil or other flammable material.
- Do not use to pick up moisture or any liquids.
- Do not leave the machine connected to the electricity supply when not in use, always remove the plug from the socket-outlet.
- Switch off the machine before removing the plug.
- Keep the power supply cord clear of moving parts. During operation hazard may occur when running the machine over the power supply cord.
- The power supply cord must be regularly inspected for signs of damage. If the power supply cord is damaged, it shall only be replaced by the manufacturer, its service agent or a similar qualified person in order to avoid a hazard.
- Only replace the supply cord with the type specified in the instruction manual.
- Do not operate the machine with a damaged supply cord or plug, or after the machine malfunctions or is damaged in any way. Contact an authorised Service Agent for repair or adjustment.
- The plug of the power supply cord must be removed from the socket-outlet before commencing cleaning of the machine or undertaking maintenance operations.
- Do not kink or twist the power cord.
- Take care when using a machine near the top of stairs to avoid overbalancing.

## 1.2 Guidelines for the operator

### WARNING



Operators must be fully trained in the use of the machine in accordance with these instructions, able to perform user maintenance and the correct selection of accessories.

- Operators should be physically capable to manoeuvre, transport and operate the machine.
- Operators should be able to recognise unusual operation of the machine and report any problems.
- Only use the machine on firm level surfaces.
- Wear suitable footwear to avoid slipping.
- Wear suitable clothing to keep dry and warm.
- Where possible implement job rotation and adequate rest periods to avoid continuous use of the same muscles.
- Do not leave machine running unattended
- Do not smoke when using the machine.
- Do not put any objects into openings. Do not use with any opening blocked: keep free of dust, debris, hair, or anything that may reduce air flow.



**CAUTION** - This machine is for indoor use only and should not be used or stored outdoors or in wet conditions.



**CAUTION** - If it is suspected that there is hazardous dust or flammable materials stop cleaning the area immediately and consult your superior.



**WARNING** Only use accessories and spare parts provided with the machine or those approved by the manufacturer. The use of other accessories may impair the safety of the machine.



**WARNING** – Should water emit from the machine exhaust **switch off immediately** and refer to instructions for **Using the Machine**

- Ensure the machine is switched off before adding or changing accessories.

## 1.3 Transporting the machine



**CAUTION** – Incorrect lifting techniques may result in personal injury, where applicable do not lift large and heavy machines without assistance. We advise that the manual handling regulations are followed. Please refer to the technical table for details on weight of machine.

When transporting the machine ensure that all components, tanks and removable parts are securely fastened, and that the supply cord and

plug are not trailing. Detach hose and wand from machine where applicable.

**Do not** lift or transport the machine whilst containing liquid as this will add considerably to the weight.

Take extreme care when moving the machine up or down steps or stairs.

## 1.4 Electrical connection

Before connecting the machine to the power supply, check that your supply voltage corresponds with that marked on the rating label.

The power supply cord plus any extension leads should not exceed 30m in total, otherwise you may experience problems starting up the machine. The cross-section of any extension cable wiring must be at least 2,5 mm<sup>2</sup>.

Should an extension cord be used, ensure cord rating is adequate for the equipment. Do not use extension cord in coiled condition as this could result in overheating of the cord.

### UK only

The supply cord for 230v models is fitted with a plug containing a 13 amp fuse. Should the fuse require replacement it must only be replaced by a 13 amp fuse conforming to BS1362, and the fuse cover must be refitted. If the fuse cover is lost the plug must not be used until the correct replacement cover is fitted.

**IMPORTANT** - If the supply cord is damaged, it must only be replaced by a special cord available from the manufacturer or an authorised service agent.

**WARNING – THIS APPLIANCE MUST BE EARTHED**

## 1.5 Symbols & Markings



**WARNING**



**Earth symbol**

## 2 Controls

The machine control switches are located on the top of the machine. They are illuminated when in the ON positions (Fig 1).

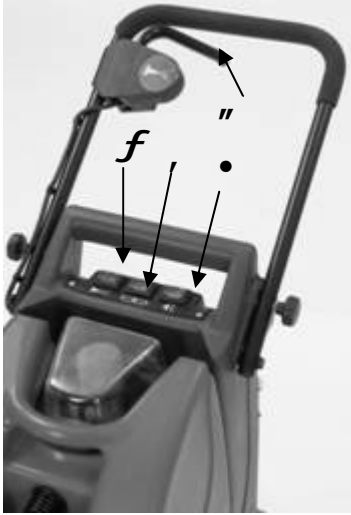


Fig 1

- 1 Vacuum motor switch – extracts dirty water from carpet into recovery tank.
- 2 Brush drive switch – Operates the rotating brush.
- 3 Accessory spray switch – Pumps cleaning solution to accessories. Must be switched on when using wand or upholstery tool.
- 4 Spray operating lever – Sprays cleaning solution onto carpet
- 5 Cut-out reset button – Cut-out operates when brush motor is overloaded. Press to reset after motor has been allowed (Fig 2)



Fig 2

## 3 Preparing for use



**WARNING** - Before undertaking assembly or changing of accessories/tools switch off machine and unplug from the electricity supply.

### 3.1 Securing the handle

The working position of the handle is raised. It must be fixed in position by means of the locking screw on either side, which must be inserted and tightened before use. For transportation and

storage purposes the handle can be lowered by hinging it forward after releasing the locking screws.

**IMPORTANT** – Ensure locking screws are withdrawn into the handle tube before moving the handle.

## 4 Operation

### 4.1 Starting the machine

- Connect the cable to mains power.
- Switch on the vacuum motor and brush drive.

### 4.2 Using the machine

- Operate spray lever on handle to dispense the cleaning solution, whilst pulling the machine slowly backwards to clean the carpet. Stop spraying cleaning solution about 30cm (12") before end of cleaning pass to ensure all solution is vacuumed up.
- Wheel the machine forward and repeat, slightly overlapping the previous pass.
- Do not clean any area more than twice, or overwetting could result in carpets shrinking.
- After a few passes check recovery tank for presence of foam. If foam is present, either add defoamer or if using an all in one product, empty the recovery tank, rinse out and continue, checking regularly for foam build up.



**WARNING** – Should water emit from the machine **switch off immediately** and empty the recovery tank.

- When solution spray ceases the solution tank is empty. Switch off the machine, empty the recovery tank and refill the solution tank. **IMPORTANT** – Ensure recovery tank is emptied whenever solution tank is filled.
- **IMPORTANT** – Do not run the pump motor when the solution tank is empty, as this will damage the motor.

## 5 Using accessory tools

Accessory tools may be used for cleaning stairs, upholstery and inaccessible areas.

- To use accessories remove the vacuum hose from the recovery tank, and insert accessory vacuum hose in its place.
- Disconnect solution hose from connector on front of machine, and connect accessory solution hose to machine.
- Switch OFF brush drive.
- Switch ON vacuum motor and accessory spray. The accessory can now be used.

### 5.1 Cleaning Carpet

**Colour fastness** - Before using cleaning solution or pre-spotter, test carpet for colour fastness on an inconspicuous area. Apply solution to a small piece of clean white material or tissue, and then rub on carpet vigorously. Excessive amounts of

dye showing on the material indicate that the colours are not fast, and the carpet should not be wet cleaned.

- Move furniture around to give a clear working area. Cover bottoms of furniture legs where necessary (aluminium cooking foil is ideal). Pin up curtains and drapes.
- Vacuum carpet thoroughly to remove any residual dust or debris.
- Areas of heavy carpet soiling can be removed more easily if first treated with a concentrated cleaning solution or pre-spotting solution.
- Rate of cleaning will depend upon the thickness of the carpet and the degree of dirt in the area being cleaned.
- Do not clean any more than twice. Carpets may shrink if they are over-wet or not properly fixed down.

## 5.2 Cleaning Stairs



**CAUTION** - When cleaning on stairs exercise great care to ensure that machine is stable and cannot overbalance, possibly causing injury to either operator or third party. Use the optional stair/upholstery tool for cleaning in place of the wand assembly.

## 5.3 Cleaning Upholstery

This is done in the same way as carpet cleaning except using the optional upholstery tool in place of the wand assembly. Cleaning is achieved using a gentle dragging motion of the upholstery tool over the material.

- An inconspicuous area of the item to be cleaned should always be tested for colour fastness prior to cleaning. Should doubt exist as to the suitability of the fabric for wet cleaning, the chemical manufacturer should be consulted for advice.
- Loose cushions should be removed and cleaned separately.
- Care should be taken to avoid over-wetting the fabric.

## 6 When Cleaning is Finished

### 6.1 Draining and Cleaning

- When cleaning is finished run vacuum motor for approx. 2 minutes to allow residual water in the system to be fully sucked into the recovery tank. Failure to do this may result in a small quantity of water being discharged from the machine. It can also shorten the life of the vacuum motor as residual water can damage the bearings.
- Disconnect vacuum hose and lift off recovery tank. Remove transparent cover and pull off filter. Empty the dirty water, rinse out tank with clean water to remove dirt and sediment. Clean and refit filter and cover and replace tank.

- To empty liquid from the solution tank, disconnect solution hose from the connector on the front of the machine. Remove drain hose from the back of the machine and fit to connector. Direct free end of hose into a bucket or drain and switch on the accessory spray switch. This will drain the remaining liquid from the tank.
- Finally add approx. ½ litre (1 pint) of clean water to solution tank to flush out the tank and pump.
- Switch OFF and unplug the machine.
- With both water tanks empty the machine may be tilted backwards to rest on the handle to facilitate cleaning.
- Clean underside of machine with a damp cloth to ensure that any carpet debris is removed, especially in the area surrounding the brush and bearing assemblies. Build up of damp dirt and carpet fibres in this area can lead to early bearing failure.

### 6.2 Storage

- Always unplug, empty, wipe down and dry the machine after use.
- Wrap supply cord around the handle, ensuring that the plug is not trailing on the floor. Store the machine in a dry indoor area only.

### 6.3 Maintenance

**WARNING** - Before undertaking maintenance operations or adjustments switch off machine and unplug from the electricity supply.

The machine requires minimum maintenance apart from the following checks by the operator.

- **Supply cord** - Regularly inspect sheath, plug and cord anchorage for damage or loose connection.
- **Solution tank** - Check filter is clean and undamaged. A damaged or missing filter must be replaced or damage to pump head and spray jet could occur.
- **Vacuum head** - Check and remove any debris or lint build-up from the head.
- **Spray jet** - Check jet for blockage and full spray pattern. Blow through jet to clean. **Do not** use a pin, as this could damage the jet.

**IMPORTANT** - All other servicing and repairs should only be performed by a Truvox engineer or Authorised Service Agent.

## 7 After Sales Service

Truvox machines are high quality machines that have been tested for safety by authorised technicians. It is always apparent that after longer working periods, electrical and mechanical components will show signs of wear and tear or ageing.

Under extreme or specialised conditions and/or insufficient maintenance, shorter maintenance intervals are necessary. Use only original Truvox spare parts. **Use of other spare parts will invalidate all warranty and liability claims.**

Should you require after sales service please contact the supplier from whom you purchased the machine, who will arrange service. Repairs and servicing of Truvox products should only be performed by trained staff. Improper repairs can cause considerable dangers to the user.

## 8 Guarantee

Your product is guaranteed for **two** year from the date of original purchase, or hire purchase, against defects in materials or workmanship during manufacture. Within the guarantee period we undertake at our discretion, to repair or replace free of charge to the purchaser, any part found to be defective, subject to the following conditions.

### CONDITIONS

1. Claims made under the terms of the guarantee must be supported by the original invoice/bill of sale issued at the time of sale, or the machine Serial Number.
2. For claims under this guarantee contact the supplier from whom you purchased the product who will arrange the appropriate action. Do not initially return the product as this could result in transit damage.
3. Neither Truvox nor its distributors shall be liable for any incidental or consequential loss.
4. This guarantee is governed by the laws of England. This guarantee does not cover any of the following: Periodic maintenance, and repair or replacement of parts due to normal wear and tear.
5. This guarantee is governed by the laws of England. This guarantee does not cover any of the following: Periodic

maintenance, and repair or replacement of parts due to normal wear and tear.

- Damage caused by accident, misuse or neglect, or the fitting of other than genuine Truvox parts.
- Defects in other than genuine Truvox parts, or repairs, modifications or adjustments performed by other than a Truvox service engineer or authorised service agent.
- Costs and risks of transport relating directly or indirectly to the guarantee of this product.
- Consumable items and wear parts such as drive belts.

This guarantee does not affect your statutory rights, nor your rights against the supplier arising from their sales or purchase contract.

## 9 Waste Electrical & Electronic Equipment (WEEE)



Do not dispose of this device with unsorted waste. Improper disposal may be harmful to the environment and human health.

Please refer to your local waste authority for information on return and collection systems in your area.



## 10 Technical specification

All models: 230-240 V ~ 50 Hz, Class I construction. Enclosure to IPX4. Fitted with 12m supply cord and 13A fused plug.

Model		Hydromist Compact
Code		HC250
Voltage AC (~) / Frequency	V / Hz	230 / 50-60
Pump pressure	Bar (max)	1.5
Vac motor	W	1200
Brush width/cleaning width	cm	24.5
Solution tank capacity	litres	14
Recovery tank	litres	11.5
Sound pressure level	dB (A)	73
Cable length	m	12
Size (L x W x H)	cm	54 x 36 x 87
Weight empty	kg	22.5
Warranty		1 year

Truvox International is a BSI Registered Company and our policy is one of continuous development. We reserve the right to change specifications without prior notification

## 11 Accessories and Cleaning Chemicals

Accessory	Part no.	Usage
Accessory kit for Hydromist Compact,	05-3406-0000	Comprising bag, hose and upholstery tool
Wand	05-3679-0000	Heavy duty wand

Chemical	Bottle size	Bottles per case	Part No.	Usage
Hydromist Carpet Cleaning Solution	500ml	10	HMC01005	The quality way to beautify carpets and upholstery. Formulation lifts dirt and stains out of your carpets and helps prevent re-soiling. Leaves carpets and upholstery soft and fresh.
	1 litre	10	HMC01010	
	5 litre	4	HMC01050	
Hydromist Pre-spotter	500ml trigger spray	10	HM003005	Formulated to help remove stubborn stains from carpet and upholstery.

**IMPORTANT:** Genuine accessories and chemicals are only available from authorised Service Agents or the Truvox Customer Service Department

## 12 Fault Diagnosis



**WARNING - Before undertaking maintenance operations or adjustments switch off machine and unplug from the electricity supply**

Problem	Reason	Remedy
Machine not working, switches not illuminating	Lack of voltage/electrical supply	Check fuse *, supply cord, plug and socket outlet.
Poor water recovery	<ul style="list-style-type: none"> <li>• Vacuum head blocked.</li> <li>• Vacuum hose obstructed</li> <li>• Blocked suction filter</li> <li>• Damaged gasket on recovery tank lid</li> <li>• Damaged gasket on vacuum motor lid.</li> </ul>	<ul style="list-style-type: none"> <li>• Remove obstruction.</li> <li>• Remove obstruction</li> <li>• Clean filter</li> <li>• Replace gasket</li> <li>• Replace gasket</li> </ul>
Brush not revolving	<ul style="list-style-type: none"> <li>• Brush jammed by debris.</li> <li>• Broken drive belt</li> <li>• Motor overload cut-out operated.</li> </ul>	<ul style="list-style-type: none"> <li>• Remove debris</li> <li>• Refer to Service Agent.</li> <li>• Reset cut-out</li> </ul>
No solution spray from jet.	<ul style="list-style-type: none"> <li>• Empty solution tank.</li> <li>• Blocked solution tank filter</li> <li>• Blocked spray jet</li> <li>• Pump failure.</li> </ul>	<ul style="list-style-type: none"> <li>• Refill solution tank.</li> <li>• Clean filter.</li> <li>• Remove spray jet and clean.</li> <li>• Refer to Service agent</li> </ul>

\* If the fuse blows several times, the machine should be checked by an authorised Service Agent

### 13 Parts Lists & Diagrams

## HydroMist Compact 250 Service Parts List

Model Ref.:- HC250

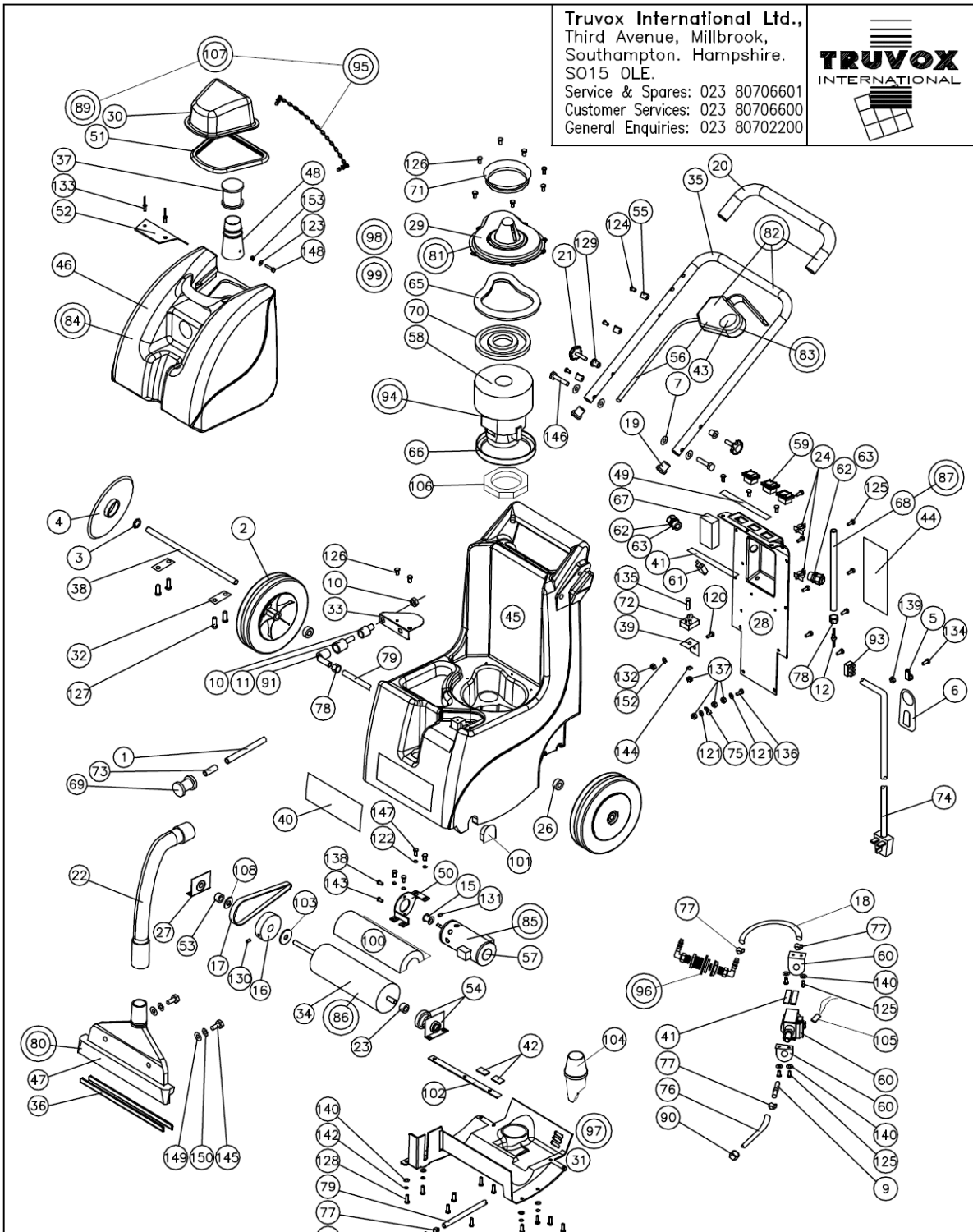
Service Parts List Issue 7 Dated 01st June 2010

Ref. Drawing 09-1010-0000 Issue E Dated 17-11-2004

Drawing Ref.	Original Part Number	Current Part Number	Description	Qty
1	2-265	02-0265-0000	Silicon hose	1
2	2-3121	02-3121-0000	Wheel with Cap	2
3	2-254	02-0254-0000	Starlock washer	2
4	3-6080	03-6080-0035	Special Wheel Cap (Water Blue)	2
5	2-3151	02-3151-0000	P clip cable restraint	1
6	2-3152	02-3152-0000	Cable restraint	1
7	2-3417	02-3417-0000	Nylon Washer	4
8				
9	2-3443	02-3443-0000	1/8"male barb	1
10	2-3445	02-3445-0000	Metal Bulkhd Coupling	1
11	2-3447	02-3447-0000	Metal Male Coupling	1
12	2-3449	02-3449-0000	Metal Drain Hose Connector	1
13	2-3487	02-3487-0000	Red Spray Nozzle Assembly	1
14	2-3452	02-3452-0000	Spray Nozzle Retaining nut	1
15	2-3454	02-3454-0000	Motor Pulley	1
16	2-3453	02-3453-0000	Brush Pulley	1
17	2-3455	02-3455-0000	Brush Drive Belt	1
18	3-6041	03-6041-0000	Feed to Pump Hose	1
19	2-3457	02-3457-0000	Tube End Cap	2
20	2-3459	02-3459-0000	Handle Grip	1
21	2-3460	02-3460-0000	Handle lock knob	2
22	2-3468	02-3468-0000	Vac pick-up hose	1
23	2-3469	02-3469-0000	Nylon Brush Spacer	1
24	2-3478	02-3478-0000	Pump Out Hose Clips	2
25				
26	3-5589	03-5589-0000	Wheel spacer	2
27	3-5986	03-5986-0000	Bearing Housing	1
28	3-5987	03-5987-0000	Back Electrical Cover	1
29	3-5988	03-5988-0000	Vac motor cover	1
30	3-5989	03-5989-0000	Vac Lid	1
31		03-6666-0000	HC250 Bottom cover	1
32	3-5991	03-5991-0000	Axle retain brackets	2
33	3-5992	03-5992-0000	Fluid Coupling Bracket	1
34	3-5995	03-5995-0000	Brush Body	1
35	3-5996	03-5996-0000	Handle	1
36	3-5998	03-5998-0000	Pick up Strip	2
37	3-5999	03-5999-0000	Filter element-waste tank	1
38	3-6000	03-6000-0000	Axle	1
39	3-6001	03-6001-0000	Rectifier heat sink	1
40	3-6002	03-6002-0000	Champ Compact Label	1
41	3-6009	03-6009-0000	Gasket Strip (Bck + bot cvrs + Pump Strips)	1
42	3-6010	03-6010-0000	Gasket bot 10mm pads	2
43	3-6011	03-6011-0000	Champ Compact Sprayjet Label	1
44	3-6012	03-6012-0000	Champ Compact Pictorial Label	1
45	3-6013	03-6013-0067	Solution Tank (Jet Black)	1
46	3-6014	03-6014-0035	Recovery Tank (Water Blue)	1
47	3-6015	03-6015-0035	Pick-up (Water Blue)	1
48	3-6056	03-6056-0000	Filter Support Tube	1
49	3-6018	03-6018-0000	Champ Compact Switch Label	1
50	3-6038	03-6038-0000	Brush Motor Mounting Bracket	1
51	3-6020	03-6020-0000	Vac Lid Seal	1
52	3-6021	03-6021-0000	Water path deflector plate	1
53	2-3495	02-3495-0000	Pulley End Brush Spacer	1
54	3-6059	03-6059-0000	Protected Bearing Housing	1
55	TW023055	04-0286-0000	Small Black P clip	3
56	4-3202	04-3202-0000	Handle Switch	1
57	4-3203	04-3203-0000	Brush motor	1
57a		04-3216-0000	Replacement Motor Brushes (Brush Motor 04-3203-0000)	1
58		04-3389-0000	Vac Motor (116110-01)	1
59	4-3207	04-3207-0000	Switch with cover	3
60		04-3393-0000	HC250 Solenoid Pump	1
61		04-3397-0000	HC250 0.7Amp Cut Out	1
62	4-3212	04-3212-0000	Cable gland	2
63	4-3213	04-3213-0000	Cable gland back nut	2
64	5-3409	05-3409-0000	Wiring kit 230volt (Not Shown)	1
65	3-6132	03-6132-0000	CC250 Vac Motor Cover Outer Seal	1
66	3-6107	03-6107-0000	CC250 Vac Cavity & Motor Seal	1
67	4-3221	04-3221-0000	CC250 Suppressor	1
68		03-6423-1000	Solution Drain Hose	1
69	TW005014	03-6213-0000	Filter Element	1
70	3-6133	03-6133-0000	CC250 Vac Motor Cover Inner Seal	1
71	3-6053	03-6053-0000	Vacuum Lip Seal	1
72	TW007210	04-3290-0000	Rectifier (Brush Motor)	1
73	TW011120	03-6344-0000	Red nylon tube	0.035M
74	TW020017	04-3310-0000	Cord set	1
75	2-3708	02-3708-0000	White P-clip (Internal Cable Restraint)	1
76	3-6043	03-6043-0000	Pump Outlet Hose	1
77	TW033069	02-3734-0000	Jubilee clip	4

Drawing Ref.	Original Part Number	Current Part Number	Description	Qty
78	TW065063	02-3771-0000	O-Clip Steel	2
79	3-6044	03-6044-0000	Sprayjet Hose	1
80	5-3417	05-3417-0000	Pick-Up Assembly (Includes 36(2off),47)	1
81	5-3418	05-3418-0000	Vac Motor Cover Assembly (Includes 29,65,70,71,126(7off))	1
82	5-3419	05-3419-0000	Handle Assembly (Includes 19(2off),20,35,55(3off),83,124(3off),129(3off))	1
83	5-3420	05-3420-0000	Handle Switch Assembly (Includes 43,56)	1
84	5-3421	05-3421-0000	Recovery Tank Assembly (Includes 30,37,46,48,51,52,95,123,133,148,153)	1
85	5-3422	05-3422-0000	Brush Motor Assembly (Includes 15,57,131)	1
86	5-3423	05-3423-0000	Replacement Brush & Drive Assembly (Includes 16,23,27,34,53,54,103,108,130)	1
87	5-3427	05-3427-0000	Drain Hose Assembly (Includes 12,68,78)	1
88	3-6030	03-6066-0000	Multilingual User Instructions (Not Shown)	1
89	5-3717	05-3717-0000	HC250 Recovery Tank Lid Assembly	1
90	2-3381	02-3381-0000	Steel "O" Clip	1
91	2-3480	02-3480-0000	Metal Elbow	1
92	4-221	04-0221-0000	Small Plastic Ties (Not Shown)	4
93	TW023046	04-3332-0000	Terminal Block	1
94	5-3502	05-3502-0000	230volt Spare Vac Motor Assembly (Motor complete with flying leads)	1
95	5-3519	05-3519-0000	Lid Chain Assembly	1
96	5-3557	05-3557-0000	HC250 Outlet Boss Repair Kit	1
97		05-3728-0000	HC250 Bottom Cover Kit (Includes 100,31,104,102,13,14)	1
98	5-3496	05-3496-0000	HC250 Vac Cavity Upgrade Kit (Not Shown)	1
99	5-3497	05-3497-0000	HC250 Vac Cavity Upgrade Kit & 230v Motor (Not Shown)	1
100		03-6642-0000	Brush Cavity Guard	1
101		03-6643-0000	Brush End Bearing Caps	2
102		03-6653-0000	Bottom Cover Edge Seal	1
103		03-6654-0000	Brush Axle Spinner	1
104		03-6664-0000	Exhaust Port Spinning	1
105		04-3396-0000	HC250 Solenoid Pump Thermal Overload	1
106		03-6692-0000	Lower Vacuum Motor Seal	1
107		05-3793-0000	HC250 Complete Vac Lid Assembly	1
108		02-3433-0000	Adjuster Arm Wheel Side Spacer	1
109				
110				
			<b>Fasteners</b>	
120		00-0412-0011	M4 Rectifier Screw	1
121	M5-R-ZN	00-0500-0521	M5 Shakeproof Washers for Bonding Screw	2
122	M6-P-SS	00-0600-0513	M6 Spring Washers Stainless (Motor Mount)	4
123	M4-OLG-SS	00-0400-0503	Filter Support Tube Stainless Steel Washer	1
124	2-3464	02-3464-0000	Screw for P Clip	3
125	2-3465	02-3465-0000	Roto Small Tapper	24
126	2-3466	02-3466-0000	Roto Intermediate Tapper	11
127	2-3467	02-3467-0000	Roto Large Tapper	4
128		00-0412-0013	M4x12 Pozl Pn Hd ss Screw	4
129	2-3484	02-3484-0000	M6 Handle Insert	2
130	M4-10-XB	00-0410-0091	Brush Pulley Grub Screw	1
131	M4-3-XB	00-0403-0091	Motor Pulley Grub Screw	1
132	M4-L-ZN	00-0400-0701	Nut for Nylon Screw	1
133	2-3493	02-3493-0000	Deflector Plate Peel Rivet	2
134	M5-16-CP-ZN	00-0516-0011	Cable Restraint Bolt	1
135	M5-20-CP-ZN	00-0520-0011	Rectifier Bolt	1
136	M5-25-CP-ZN	00-0525-0011	Earth Bonding Screw	1
137	M5-L-ZN	00-0500-0701	Rectifier Nut	4
138	M5-10-BP-ZN	00-0510-0031	Brush Motor Retainer	1
139	M5-L-ZN	00-0500-0701	Cable Restraint Nut	1
140		00-0500-0503	M4x12 SS Washer	4
141				
142		00-0400-0513	Housing Spring Washer	4
143	M5-10-CP-ZN	05-0010-0011	Brush Motor Retainer	1
144	M5-P-ZN	00-0500-0511	Rectifier Spring Washer	1
145	M8-30-E-SS	00-0830-0113	Pick-Up Bolt	2
146	M8-40-E-B	00-0840-0126	Handle Pivot Bolt	2
147	M6-12-CP-SS	00-0612-0013	M6 Motor Mounting Screws	4
148	M4-10-E-SS	00-0410-0113	Filter Support Tube Stainless Steel Hex Screw	1
149	M8-OHG-SS	00-0800-0553	M8 Pick-Up Mounting Washers	2
150	M8-P-SS	00-0800-0513	M8 Spring Washers Stainless (Pick-up Mount)	2
151				
152	M4-P-ZN	00-0400-0511	M4 Rectifier Spring Washer	1
153	M4-LN-SS	00-0400-0723	Filter Support Tube Stainless Steel Nyloc Nut	1
			<b>CHAMP COMPACT UPHOLSTERY TOOL</b>	
	5-3406	05-3406-0000	Upholstery Tool Complete	1
	5-3429	05-3429-0000	Upholstery Hose Assembly	1
	2-3471	02-3471-0000	Vacuum Hose	3 Mtr
		02-3545-0000	Metal Fluid Coupling	1
	TW065063	02-3771-0000	Crimp Clip	2
	3-6029	03-6029-0000	Hose Bag	1
	TW065064	03-6423-0000	Solution Hose	3.2 Mtr
	4-3046	04-3046-0000	Plastic Ties	4
	RX000752	97-0213-0000	Upholstery Tool	1

Truvox International Ltd.,  
 Third Avenue, Millbrook,  
 Southampton. Hampshire.  
 SO15 0LE.  
 Service & Spares: 023 80706601  
 Customer Services: 023 80706600  
 General Enquiries: 023 80702200



17.11.04	-	E	ITEM 108 ADDED	ME				
28.11.03	-	D	137 WAS 107	CL				
20.03.03	-	C	LID ASSY ADDED	CL	SCALE	NTS	TITLE	G.A
06.01.03	-	B	ITEM 108 ADDED ITEMS 104,128,142,140 MODIFIED	SJ	CHECKED		PRODUCT	HYDROMIST COMPACT
05.09.02	-	A	NEW DRAWING	CL	DRN	MHB 04.10.99	DRAWING/PART No	09-1010-0000
DATE	CRO No	ISS	REVISION RECORD	DR	CHK			A4
								SHEET 1 OF 1 SHEETS

## 14 Declaration of Conformity

### Declaration of Conformity

We, Truvox International Ltd.

of Third Avenue, Millbrook,  
Southampton, Hampshire  
England  
SO15 0LE

declare that the machinery

Make : Carpet Soil Extraction Machines  
Type : Hydromist  
Model : HC250...

Serial Number : from 000001  
Year of Construction : 2010

has been manufactured using the following transposed harmonised European Standards and technical specifications.

Ref No	Title
2006/42/EC	Machinery Directive and subsequent amendments
2006/95/EC	The Low Voltage Directive and subsequent amendments
BS EN 60335-1	
BS EN 60335-2-68	
2004/108/EC	The EMC Directive and subsequent amendments
EN61000-3-2	
EN61000-3-3	
EN55014-1	
EN55014-2	

Signed in : SOUTHAMPTON, England

on the 29<sup>th</sup> day of December 2009

Signature :



Name : David Overell  
Position : Managing Director

Technical file: Hydromist Compact Iss. 1  
Mark Campbell, Product Support Manager



**Authorised dealer:**

Truvox International Limited  
Third Avenue, Millbrook, Southampton, Hampshire SO15 0LE, England  
Tel: +44 (0) 23 8070 2200 Fax: +44 (0) 23 8070 5001  
e-mail: [truvox@truvox.com](mailto:truvox@truvox.com) Web: [www.truvox.com](http://www.truvox.com)

