



VELTIA HAND DRYER



Data Sheet



VELTIA® an innovative hand dryer that operates without heating element. Operates automatically when putting your hands in the drying chamber and works based on high speed air allowing to dry hands in a very short time leaving on the skin a nice feeling of a massage.

Besides a great effectiveness, **VELTIA®** includes a bad scents elimination system thanks to **ZEROSMELL®** (sold separately).

VELTIA® is ideal for washrooms with medium and high number of users per day.

Patent Number: **WO / 2006 / 042896**

TECHNICAL, ENVIRONMENTAL AND MECHANICAL SPECIFICATIONS

MODEL:	240V	120V
Voltage	220/230/240V~	110/120V~
Frequency	50/60 Hz	50/60 Hz
Power consumption	1.760 W	1.749 W
Current (Running)	8.0A @ 230Vac	15.9A @ 120Vac
Electrical Isolation	Class II	Class II
Air Speed	200 Km/h (125 Mph)	200 Km/h (125 Mph)
Drying Time	10-15 s	10-15 s
Dimensions	300 x 195 x 617 (mm)	300 x 195 x 617 (mm)
	11.81x7.67x24.29 (inches)	11.81x7.67x24.29 (inches)
Weight	9.55 Kg (21.1 Lb)	9.55 Kg (21.1 Lb)
IP Code	IPX1	IPX1
Noise (@ 2 mt)	70 dB	70 dB
Number of Motors	2	2
Motors Speed	30.000 rpm	30.000 rpm
Motors Driving System	Soft Starting	Soft Starting
Hands Detection System	IR - Barrier	IR - Barrier

MATERIALS

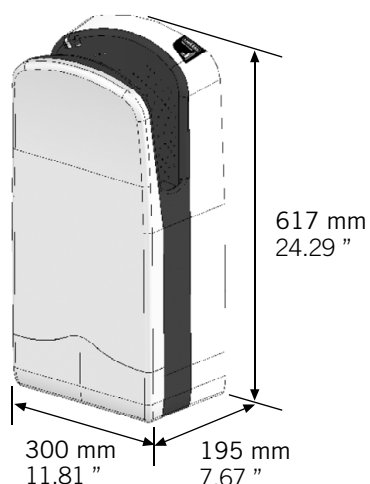
Housing case and water tank made of High impact 2.6mm thick ABS with antibacterial protection in drying area

All plastic pieces are properly prepared for recycling

In 120 V units, internal parts are contained by fire retardant plastic rated 5VA according to directive UL94

VELTIA complies with following directives: ROHS (Restriction of Hazardous Substances) and RAE (Collection of electrical and electronic equipment and waste management)

DIMENSIONS



CERTIFICATIONS

CE Conformity Declaration (*), CB Test Certificate

(*) According to European Directives: Low Voltage Directive (LVD) 2006/95/CE and Electromagnetic Compatibility Directive (EMC) 2004/108/CE

Other Certifications:

ANCE NOM (Mexico)
SABS (South Africa)
UL (US and Canada) (**)

(**) According to Standards for Safety: UL 507, Electric Fans, 9th. Edition and C22.2 No.113-M1984, Fans and Ventilators.

Product information subject to changes without further notice

Rev.:1.1

July 2011

VELTEK SYSTEMS S.L.

1/2

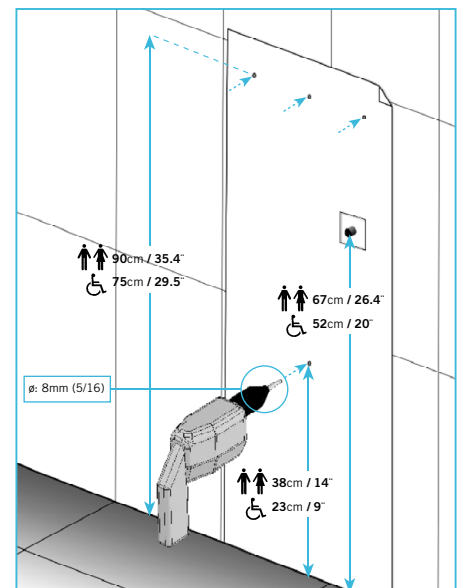
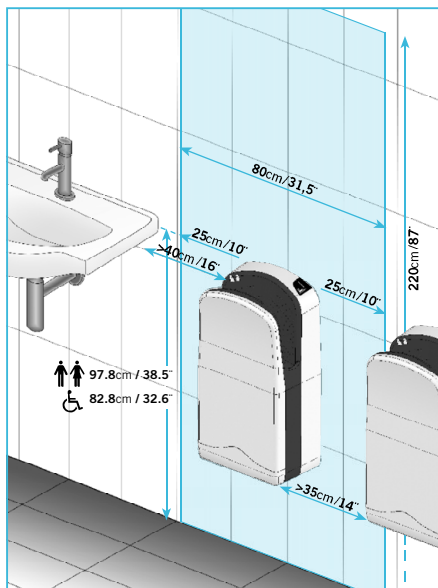
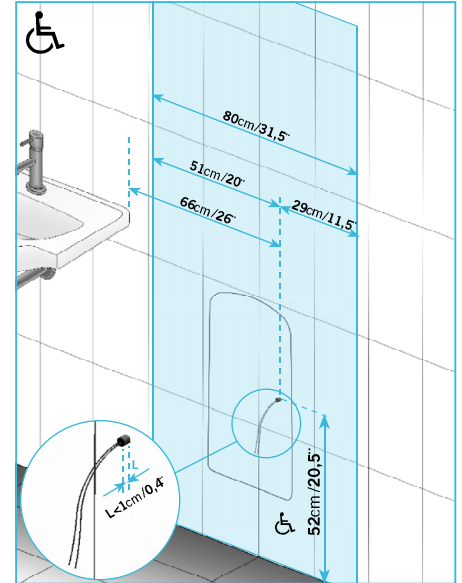
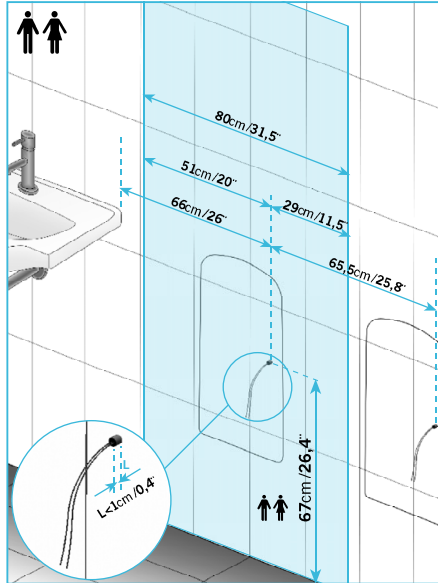


VELTIA HAND DRYER

Data Sheet



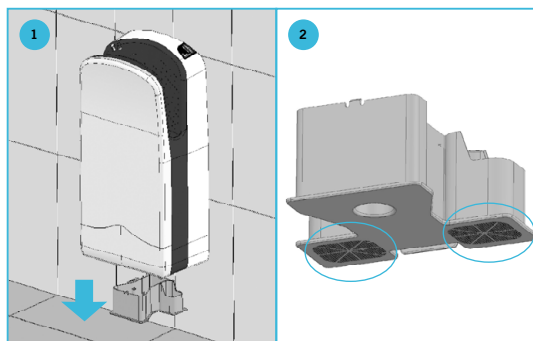
RECOMENDED HEIGHTS FOR INSTALLATION



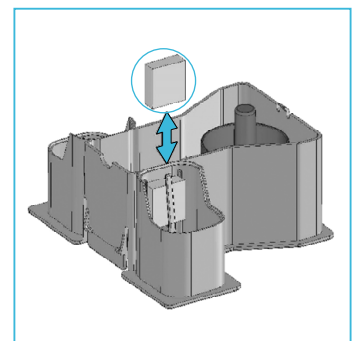
MAINTENANCE



Warning: Water tank full; must be emptied.



Air Filters: To be checked often and cleaned if necessary.



ZeroSmell®: Must be changed every 3 months.



Product information subject to changes without further notice

Rev.:1.1

July 2011

VELTEK SYSTEMS S.L.

2/2